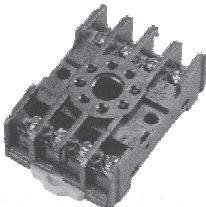
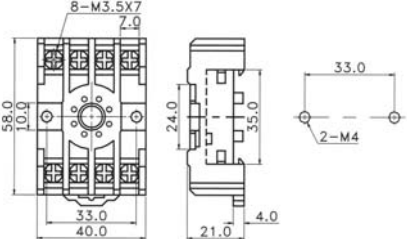
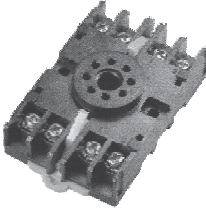
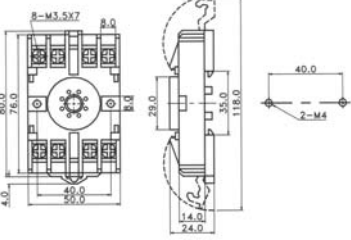
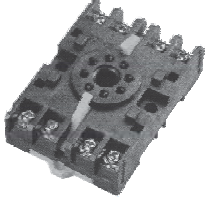
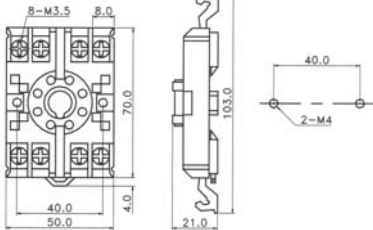
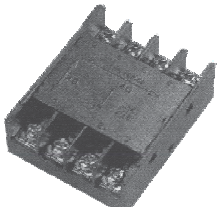
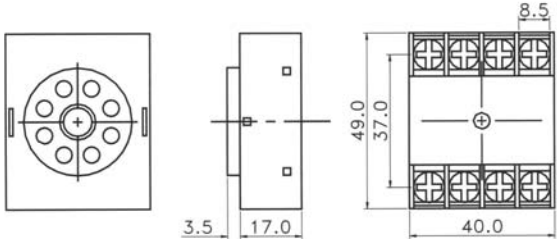
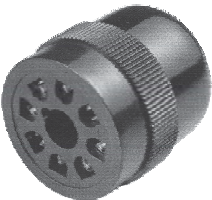
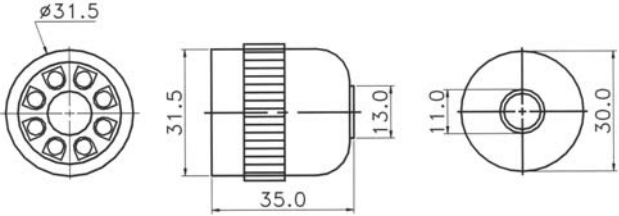
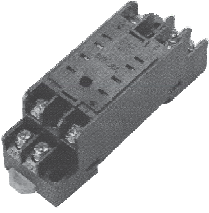
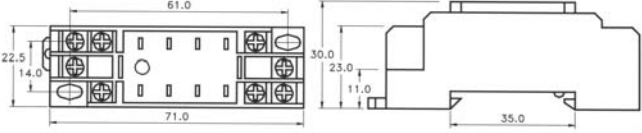
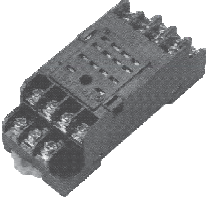
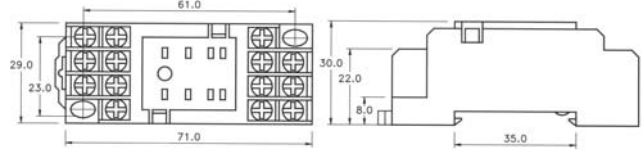

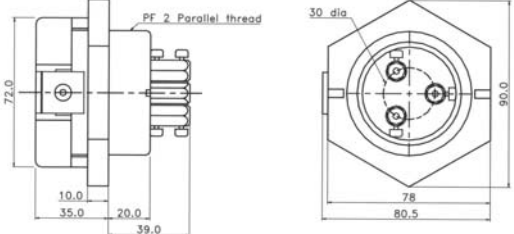
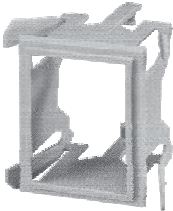
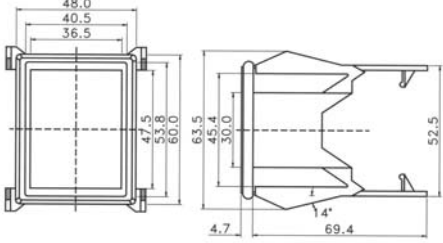
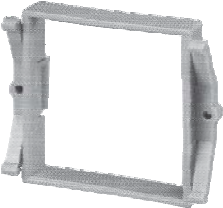
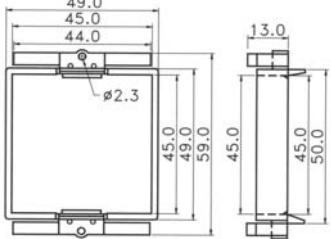


Контактные колодки и скобы крепления

Контактные колодки используются для подключения и крепления на DIN-рейку таймеров и других приборов, имеющих соответствующие разъемы. Скобы крепления применяются для крепления таймеров НЗ и Н5 серии на панели.

<p>PF085A H3 series</p> 	
<p>8PFA STP series</p> 	
<p>P2CF-08 H5B series</p> 	
<p>P3G-08 Panel type</p> 	
<p>US-08 Panel type</p> 	

<p>PYF08A</p> 	<p>H3Y-2C series</p>	 <p>Technical drawings showing dimensions for the PYF08A terminal block. The top view shows a width of 71.0 and a height of 22.5. The side view shows a total height of 30.0 and a base width of 35.0.</p>
<p>PYF14A</p> 	<p>H3Y-4C series</p>	 <p>Technical drawings showing dimensions for the PYF14A terminal block. The top view shows a width of 71.0 and a height of 29.0. The side view shows a total height of 30.0 and a base width of 35.0.</p>
<p>PS-3S</p> 	<p>FR series</p>	 <p>Technical drawings showing dimensions for the PS-3S pressure switch. The side view shows a total height of 72.0 and a base width of 39.0. The top view shows a hexagonal shape with a diameter of 90.0 and a central hole diameter of 30.0.</p>
<p>Y-40</p> 	<p>H3 series</p>	 <p>Technical drawings showing dimensions for the Y-40 terminal block. The top view shows a width of 48.0 and a height of 60.0. The side view shows a total height of 63.5 and a base width of 69.4.</p>
<p>Y-48</p> 	<p>H5 series</p>	 <p>Technical drawings showing dimensions for the Y-48 terminal block. The top view shows a width of 49.0 and a height of 59.0. The side view shows a total height of 45.0 and a base width of 50.0.</p>